



NAT-AMC-COMex

The **NAT-AMC-COMex** is an COMExpress (COMex) carrier module in double full-size AMC form factor. In combination with a COMex module, it works as a general-purpose processor (PrAMC), storage, and graphic AMC.

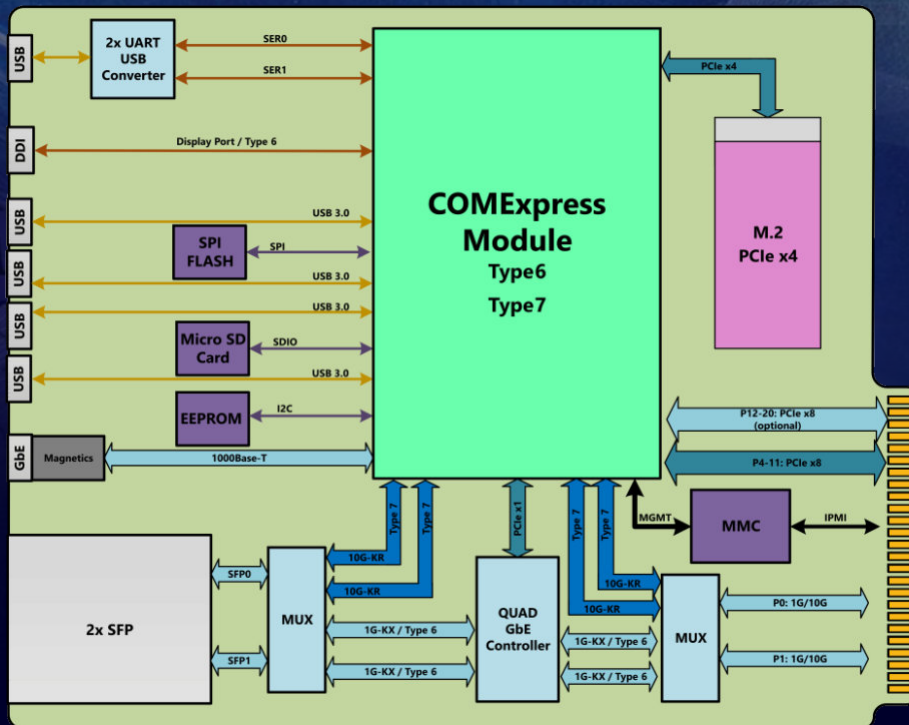
Any COMExpress module Type 6 or Type 7 validated by NAT can be equipped. Several CPU types are available e.g. Celeron® G-4932E, Core i3® 9100HL, or Xeon® E3 E-2276ML (others on request).

Thus, the **NAT-AMC-COMex** offers a wide range of setups from well-priced to high-performing configurations.

In combination with a Type 7 COMex module, the **NAT-AMC-COMex** is ideally suited for applications which demand interworking of PCIe Gen3 and 10G Ethernet.

A Type 6 COMex module provides a graphical interface via a DDI Display Port.

For storage demands, both types support a M.2 PCIe x4 interface, which offers various options to connect an SSD, FLASH memory, etc.



Key Features

On-Board Resources

- Atxmega 128 as MMC
- Intel Ethernet Controller i350
- M.2 PCIe x4 Interface for storage
- MicroSD-Card
- Standard AMC LEDs for Status, Fault, Hot-Swap

Miscellaneous

- Double, full-size AMC form factor
- Mounting slot for any type of COMExpress-Module Type 6 oder Type 7 validated by NAT; several CPU types available
- Compliance to MTCA.0, AMC.0, AMC.1, AMC.2, IMPI V2.0, HMP.1 CE, RoHS, REACH

COMExpress Type 6

- Front Panel Connections:
 - Display Port (high resolution graphics)
 - 4x USB 3.0 / 4x USB 2.0
 - 1x 1000Base-T
 - 2x SFP (1G)
- Backplane Connections:
 - IPMI
 - AMC Port 0/1: 1G-KX
 - AMC Port 4-11: PCIe x8
 - AMC Port 12-20: PCIe x8 (optional)

COMExpress Type 7

- Front Panel Connections:
 - 4x USB 3.0
 - 1x 1000Base-T
 - 2x SFP (1G/10G)
- Backplane Connections:
 - IPMI
 - AMC Port 0/1: 1G-KX/10G-KR
 - AMC Port 4-11: PCIe x8
 - AMC Port 12-20: PCIe x8 (optional)