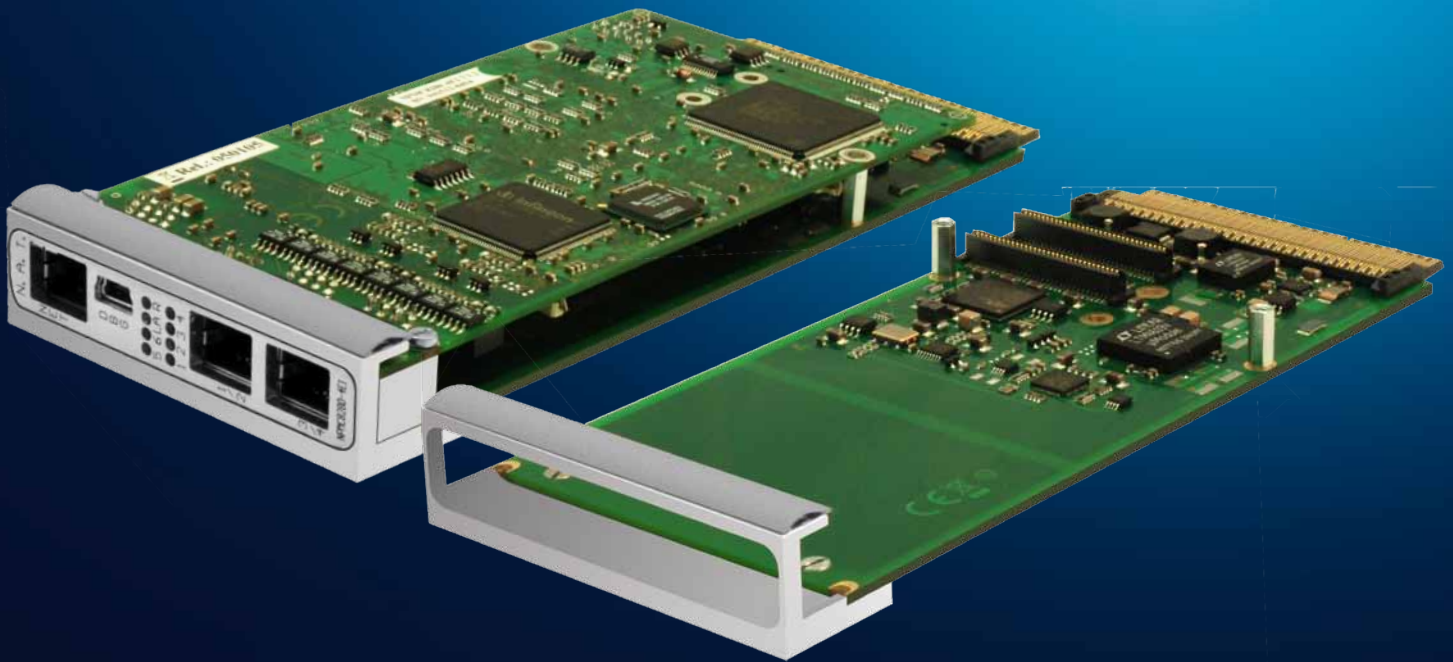




NAMC-PMC



Overview

The **NAMC-PMC** is the solution for migrating from cPCI and PCI Mezzanine Cards (PMC) based systems to the open standard MTCA. The single-width, mid- or full-size Advanced Mezzanine Card (AMC) carries one PMC module and is compatible with any MicroTCA system modified with special card guides.

Applications benefit from the reliability and bandwidth of MicroTCA systems as well as from the cost efficiency and large variety of standard PMCs with low cost interfaces such as input/output (IO).

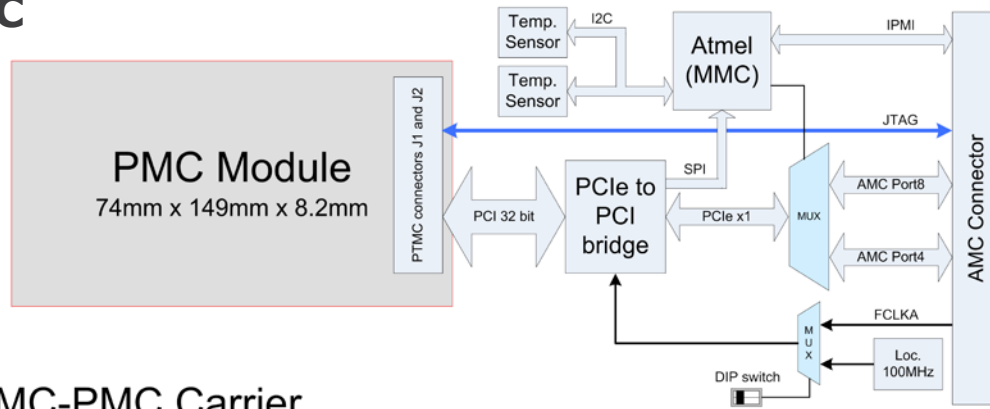
Key features

- Usage of standard off-the-shelf PMC boards in MTCA environments
- Deployment of a rich variety of available PMC modules
- Extension of PMC product life cycle



Technical Data

NAMC-PMC



NAMC-PMC Carrier

Overview

The **NAMC-PMC** is a carrier board designed in AMC form factor that supports one PMC module slot. It is available as a single width, mid- or full-size Advanced Mezzanine Card and compatible with any MTCA System.

Applications benefit from the reliability and bandwidth of MicroTCA systems as well as from the cost efficiency and large variety of standard PMCs with low cost interfaces such as input/output (IO).

Hardware Overview

To assure the data transfer between the AMC carrier and the mounted PMC module, a PLX PEX8112 PCIe to PCI bridge, supports the PCI connectivity.

IPMI

The required Module Management Controller (MMC) needed for Intelligent Platform Management Interface (IPMI) communication is supported by the **NAMC-PMC** carrier.

Special Requirements

The standard width of a PMC module is slightly larger than of an AMC module. The **NAMC-PMC** is compatible with a standard MicroTCA backplane, but it requires special card guides.

Compared with a single width, mid-size AMC front panel, the standard PMC format is slightly smaller. Neither a hot swap handle nor hot swap LEDs are placed on the front panel. Thus, the hot swap function as described in the specification, is not supported.

Key Features

PMC Interface

- 32-bit PCI bus
- JTAG

Backplane AMC Interface

- 1x PCIe on port 4
- PCIe to PCI bridge
- Selectable PCIe reference clock via AMC FCLKA or local oscillator

Power Consumption

3.3V, 5V, 12V, -12V power supplies for the PMC are provided by the carrier

Environmental Conditions

- Operating temperature: 0°C to +55°C with forced cooling
- Storage temperature: -40°C to +85°C
- Humidity: 10% to 90% rh noncondensing

Special Requirements

- Standard PMC size: 74 mm x 149 mm
- Standard AMC size: 73,5 mm x 181.5 mm
- Backplane: standard MTCA backplane with special card guides