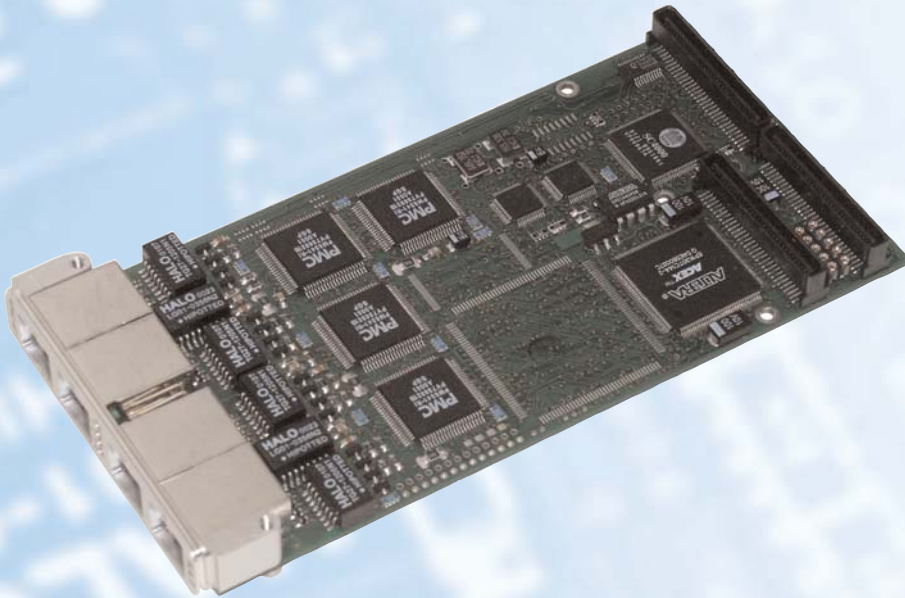


Telecommunication PMC-Module

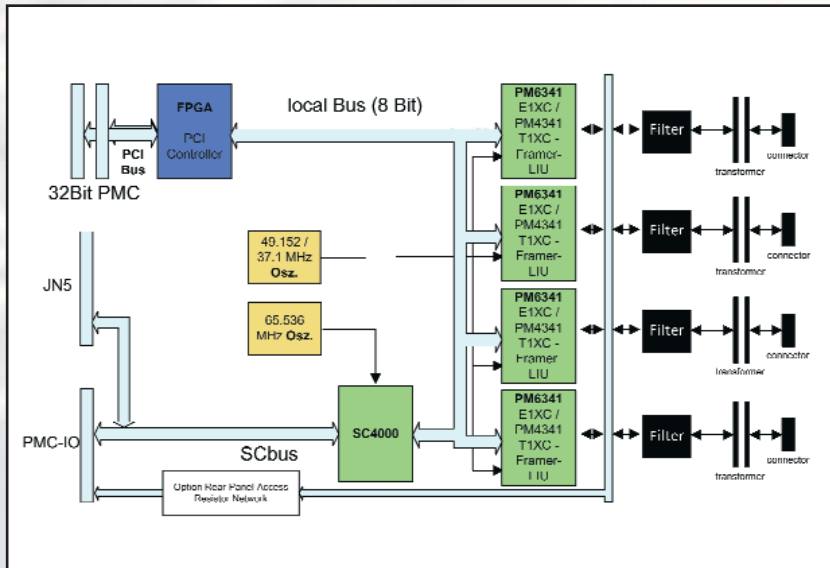


NPMC-4E1/T1

The NPMC-4E1/T1 is a highly efficient low-cost PMC module offering four E1 or T1 interfaces as well as access to the standard time division multiplex (TDM) H.110/SCSA bus. The module can be plugged into any carrier board supporting PMC standards. The line interfaces as well as the H.110 controller can be initialized via the PCI bus, offering the possibility of assembling highly scalable, cost effective systems.

The NPMC-4E1/T1 is intended to be used with a PMC carrier board, such as the N.A.T. NVTP1000, then providing a very cost-effective and intelligent solution for telecommunication applications running ISDN, SS7, ATM or proprietary protocols and in environments such as VoIP.

Technical Data



Overview

The NPMC-4E1/T1 is a telecommunications interface board in PMC (PCI mezzanine card) form factor. The module provides a highly scalable solution to telecom applications with the requirement of cost-effective E1/T1 access.

Equipped with the onboard SCbus and four primary rate E1 or T1 interfaces the NPMC-4E1/T1 provides an ideal and efficient interface for use in VME, PCI, CompactPCI and proprietary platforms.

Hardware

The NPMC-4E1/T1 is a P1386.1/ Draft 2.4 compatible PMC module, that can be plugged onto any VME, cPCI or other carrier board offering a PMC extension slot.

The NPMC-4E1/T1 is equipped with a PCI-to-local-bus bridge as the PCI interface. The local bus is directly connected to the onboard devices.

The four primary rate line interfaces, available by standard RJ45 connectors on the front panel, are implemented using four PMC Sierra framers PM6341 (E1) or PM4341 (T1).

All line interfaces can be individually configured to work as user or network side interface.

The OKI CT812 H.110 switching facility connects the SCbus which is available on the P14 connector with the internal TDM interfaces of the framers, thus allowing switching of timeslots between the different line interfaces as well as the TDM backplane.

PCI Interface and Compliance

FPGA, 33MHz, PCI Rev. 2.2

H.110/SCbus

OKI CT812, SCbus on PMC P14 connector

Line Interface

four E1/T1 line interfaces on standard RJ45 connectors on the front panel, supplied by PMC Sierra PM6341 (E1) or the PM4341 (T1)

Operating System Support

Host Drivers for VxWorks, LINUX

Power Consumption

3.3V 0.5A (typ.), 5.5V 0.8A (typ.)

Environmental

Temperature (operating): 0°C to +50°C
Temperature (storage): -10°C to +85°C
Relative Humidity: 10% to 95% at (non-condensing)

Standard Compliance

P1386 and P1386.1/Draft 2.4a

N.A.T.

Gesellschaft für Netzwerk- und Automatisierungs-Technologie mbH
Kamillenweg 22 • 53757 Sankt Augustin, Germany • Phone: +49-22 41/39 89-0
Fax: +49-22 41/39 89-10 • sales@nateurope.com • www.nateurope.com

